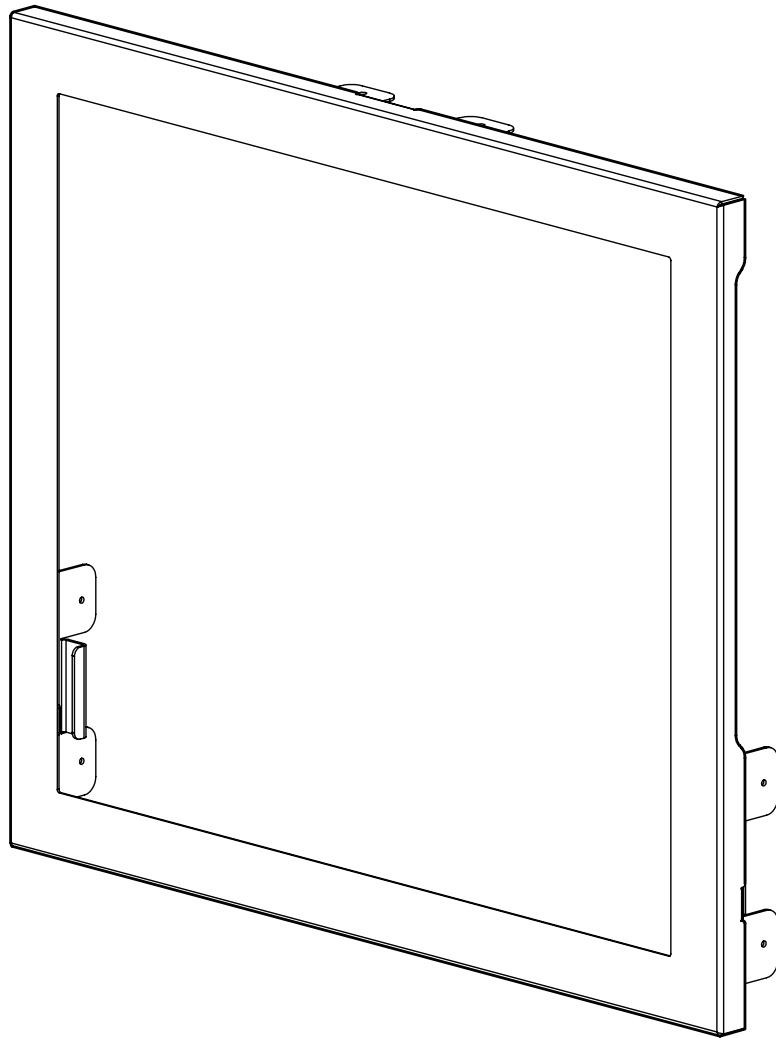
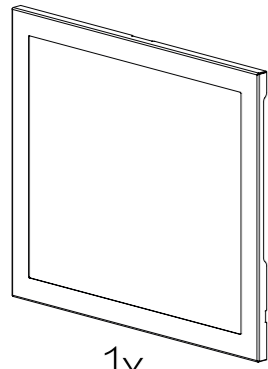


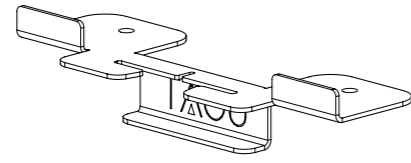
23RK1

RECESSED INSTALLATION KIT FOR TAGU 23" POWERFLAME SERIES

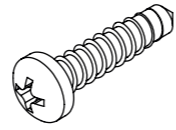




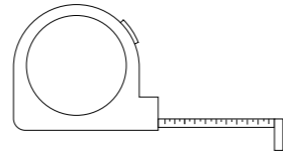
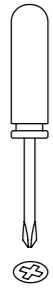
1x



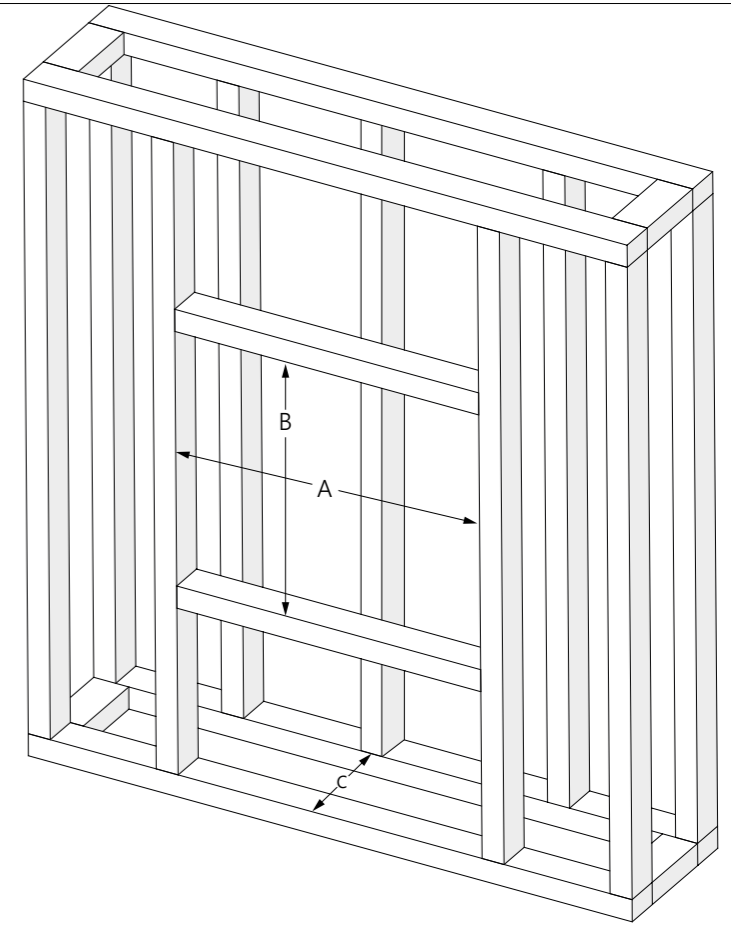
3x



6x



1

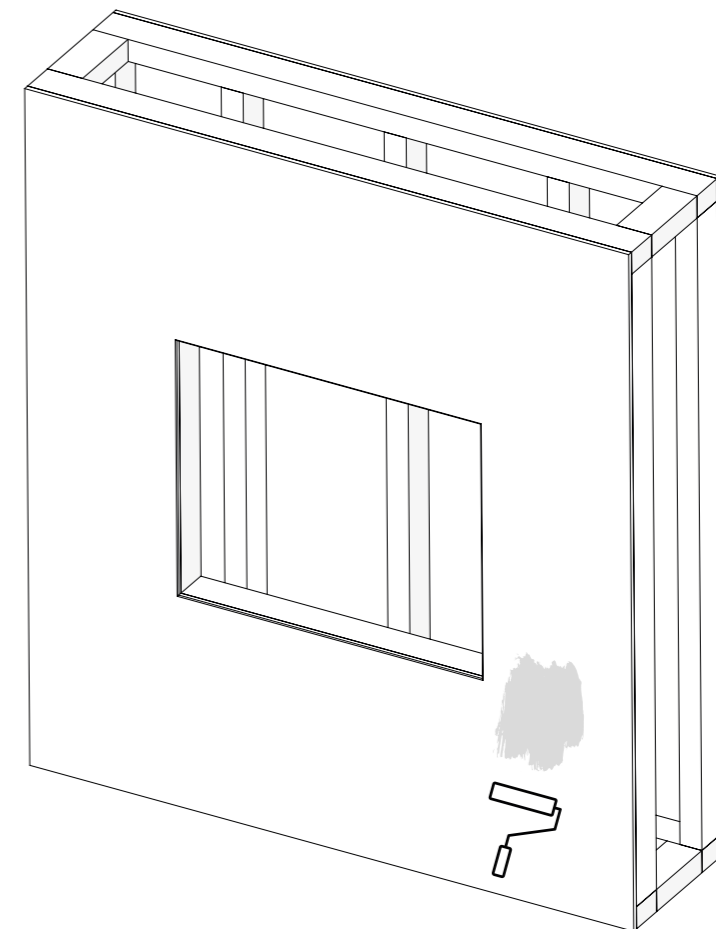


A = 608mm ± 5mm

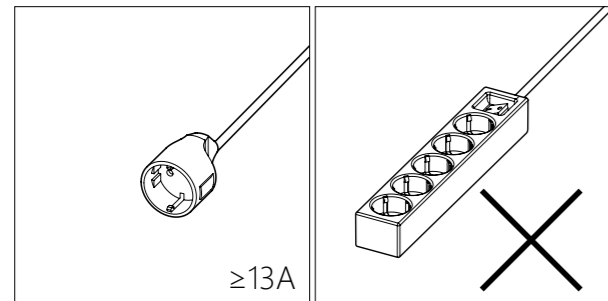
B = 507mm ± 5mm

C = >200mm

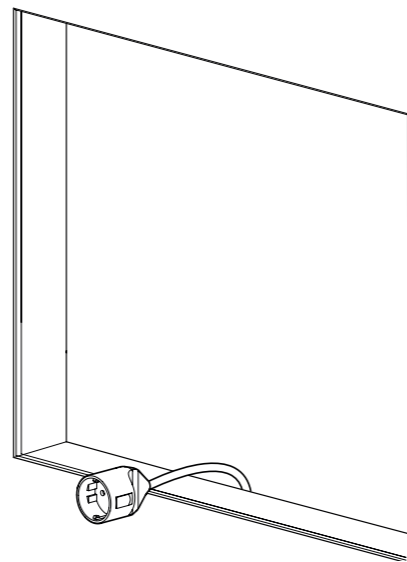
2



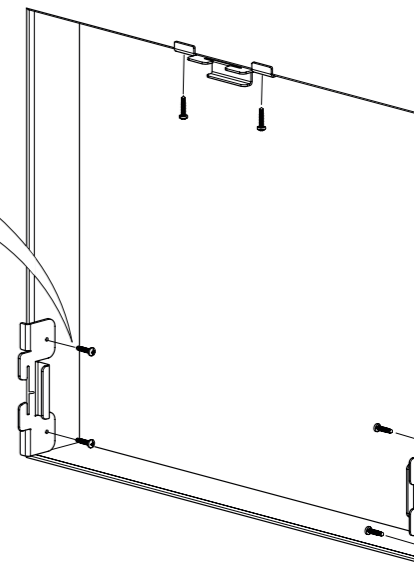
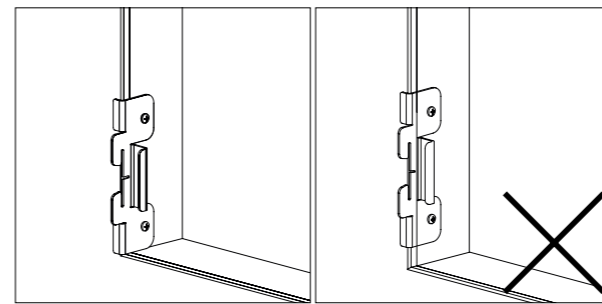
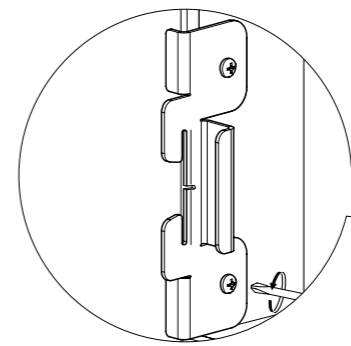
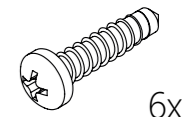
3



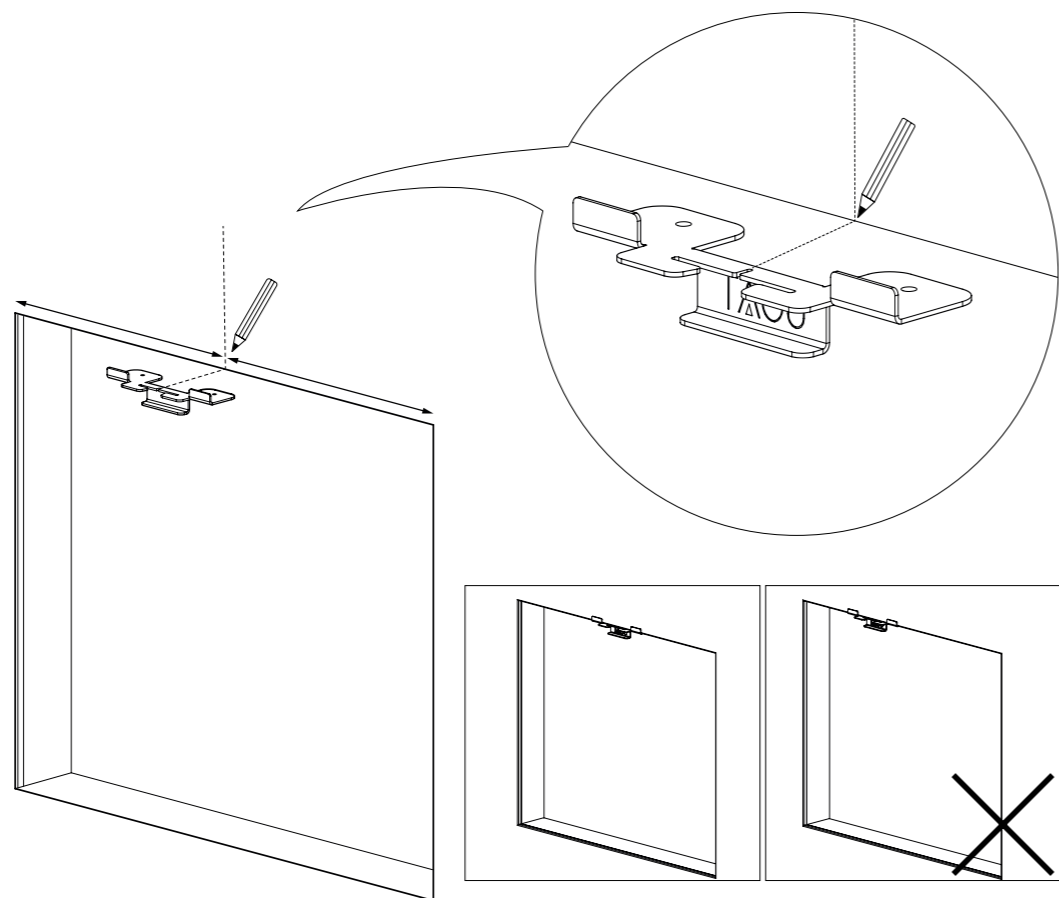
220 V



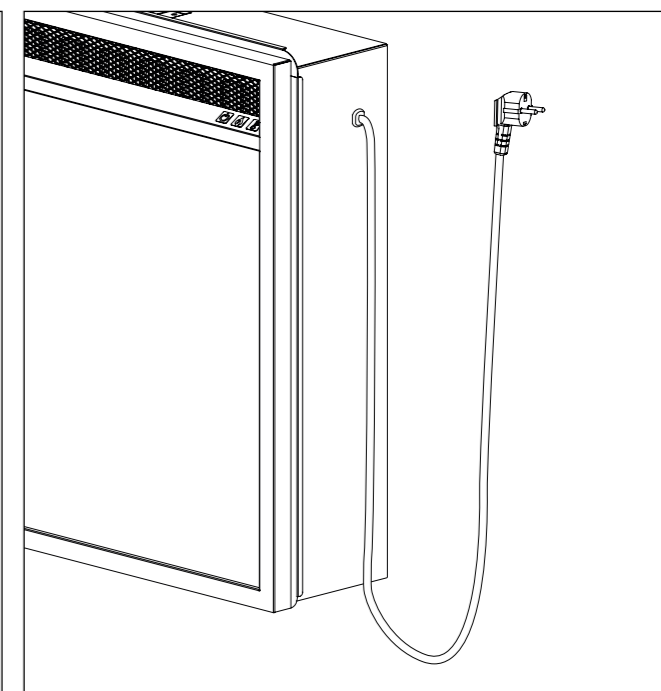
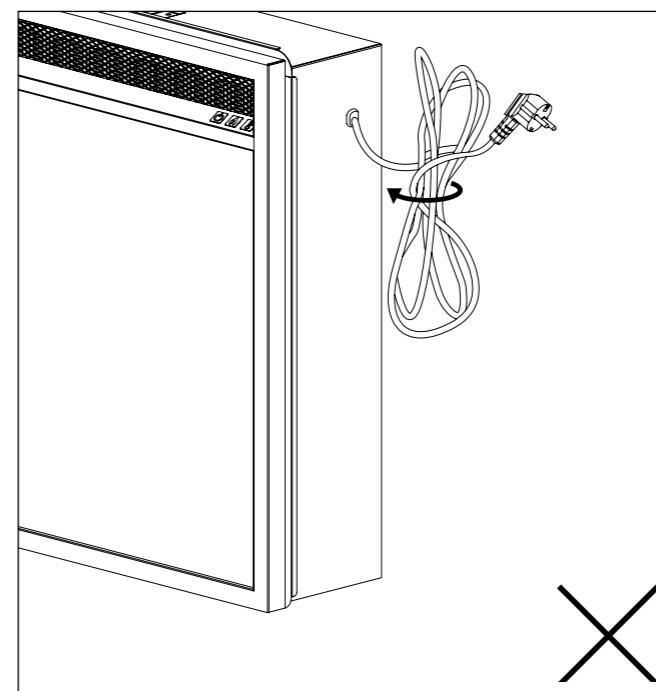
5



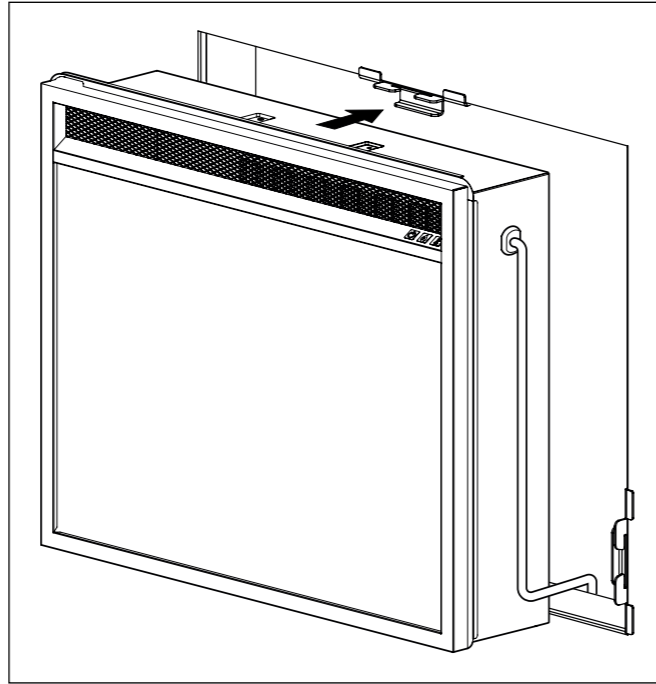
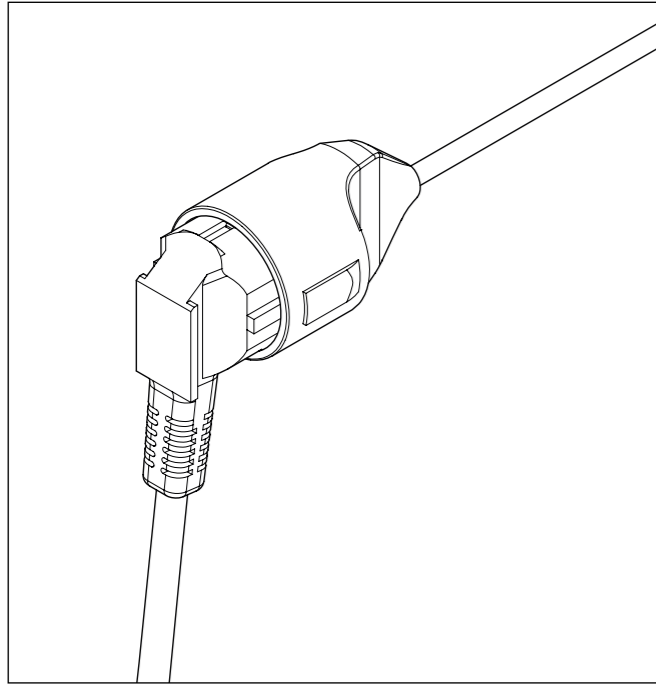
4



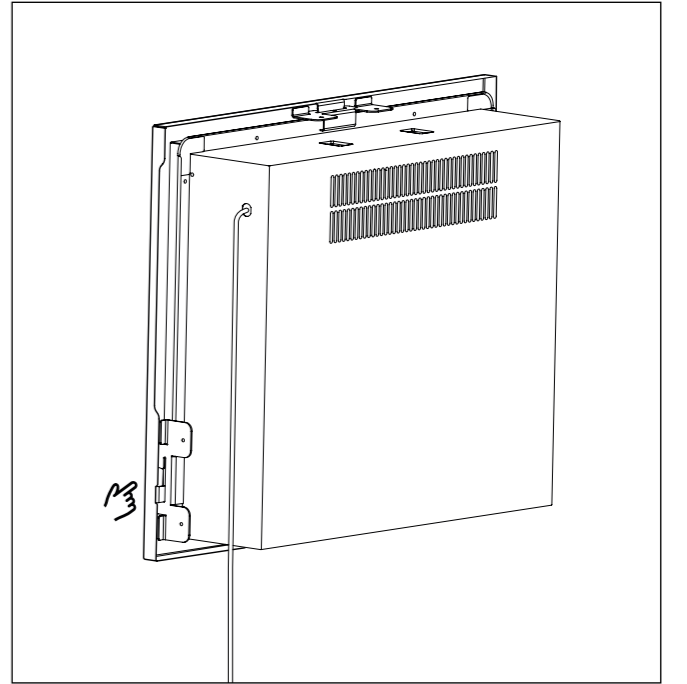
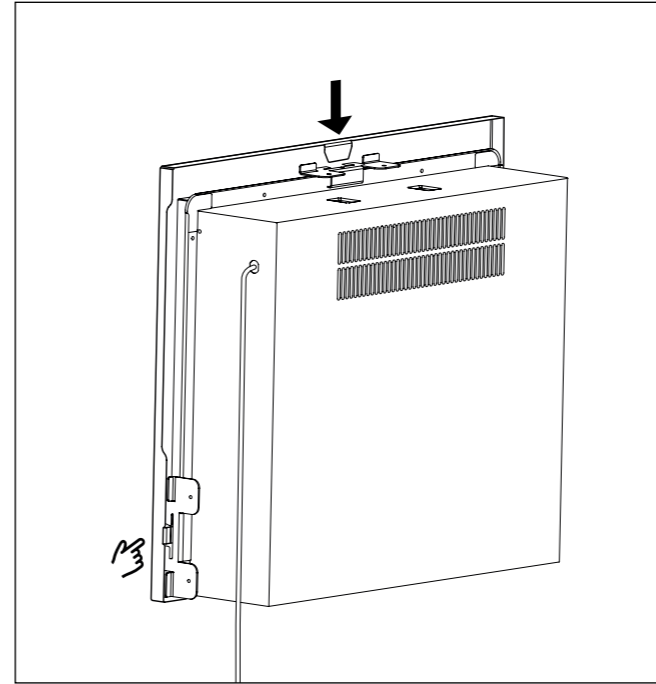
6



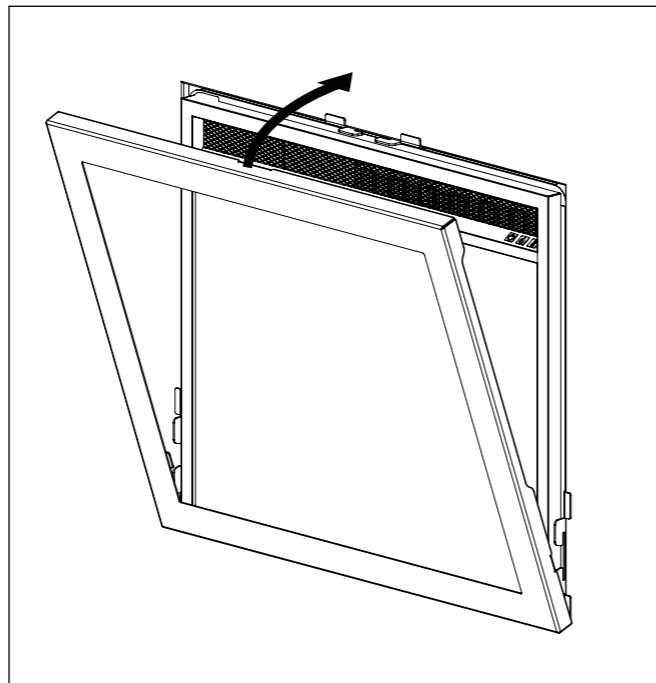
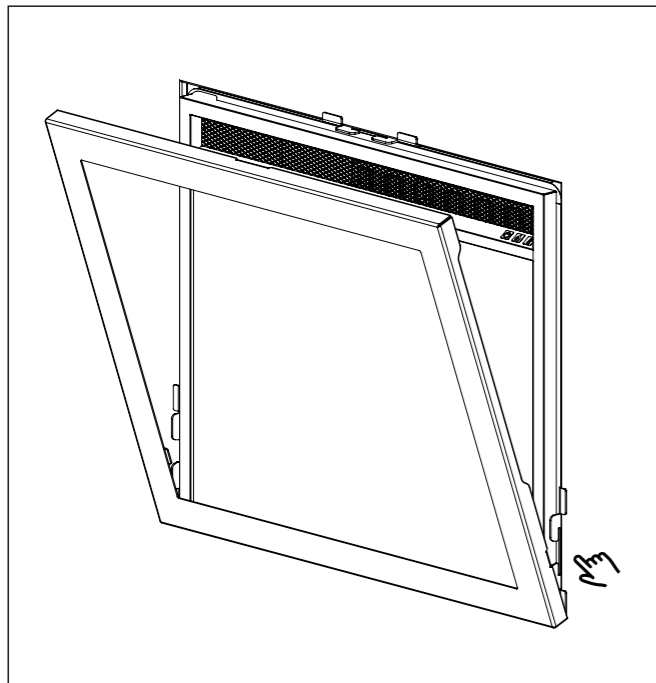
7



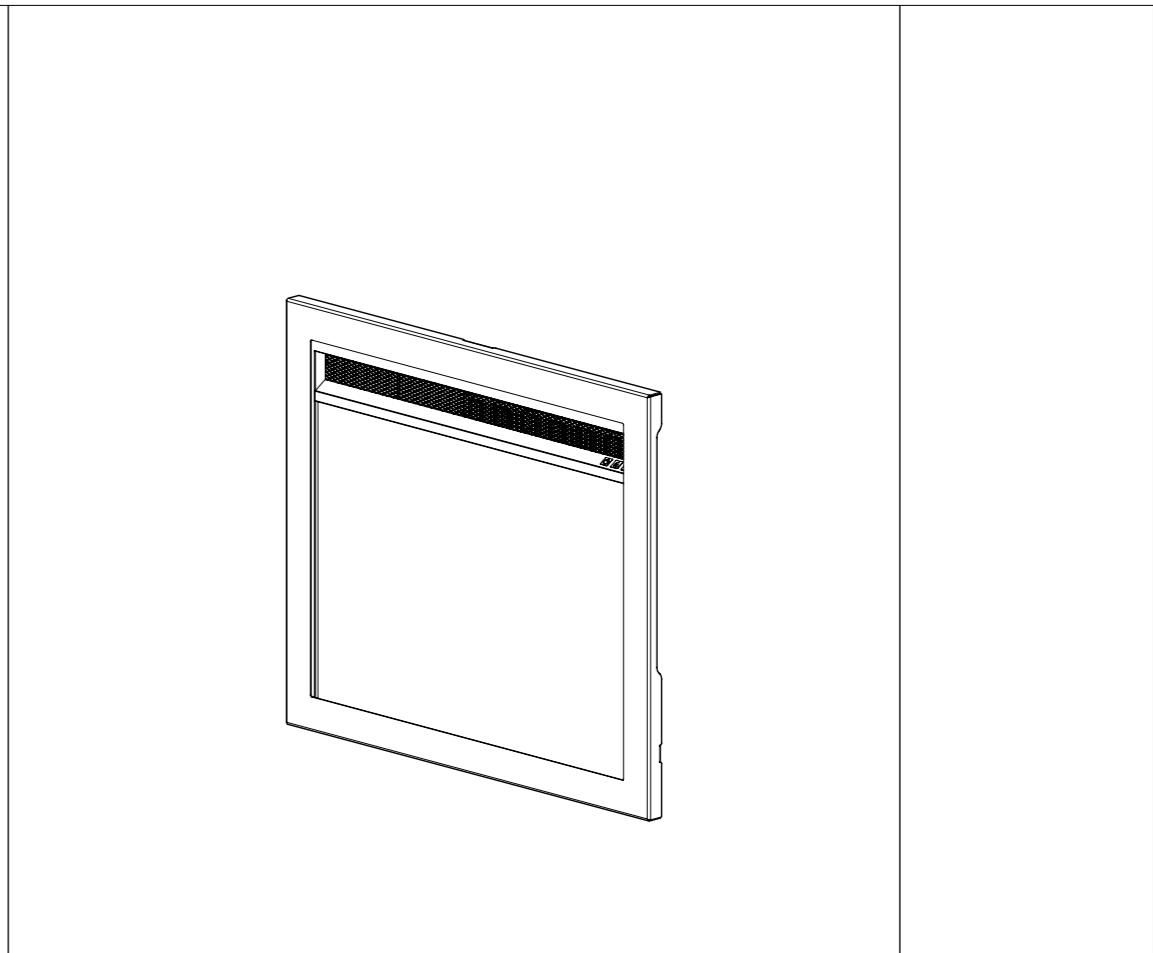
9



8



10



TAGU
the missing piece